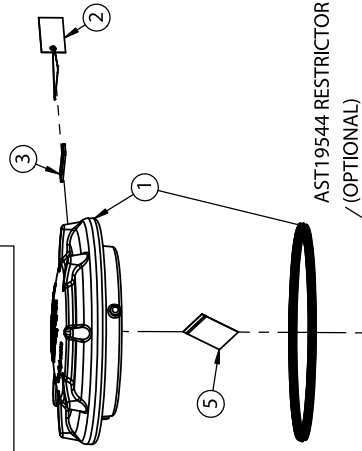
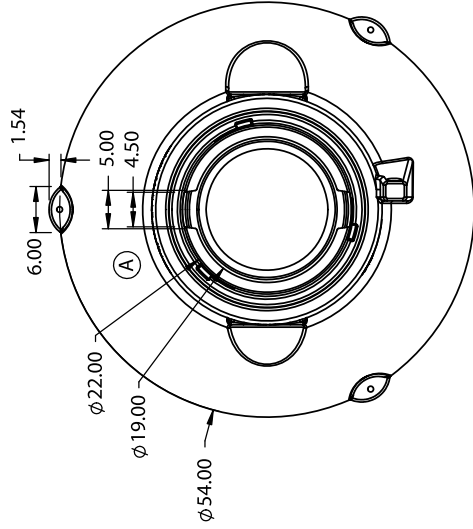


© DEN HARTOG INDUSTRIES, INC.
 Copyright. All information furnished within this document, electronic file or design correspondence is the property of Den Hartog Industries, Inc. and shall not be used, disclosed to others, or copied without the expressed written consent of Den Hartog Industries, Inc.

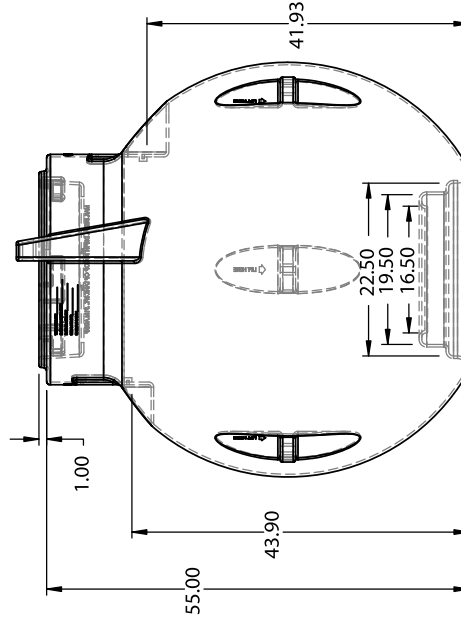
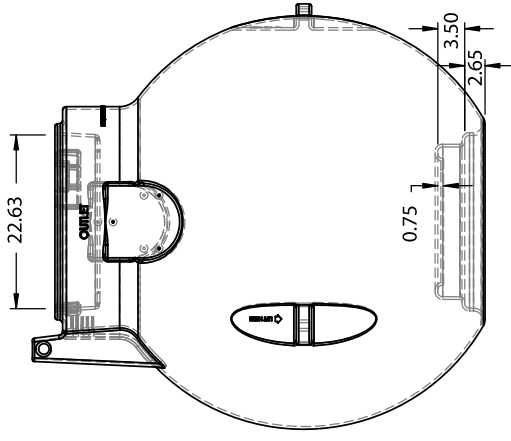
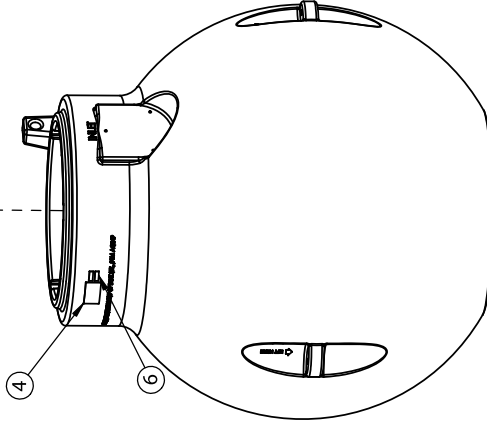
AST-0325-1W

A



AST19544 RESTRICTOR
(OPTIONAL)

KEY PART NUMBER	DESCRIPTION	QTY.
1	AST19213 LID, 24" CISTERN WHT W/GASKET	1
2	11113 TAG, 6-1/4" X 3-1/8" TYVEK	1
3	19318 TIE-STRAP, 14" NYLON BLACK	1
4	10357 LABEL, BARCODE 4" X 2"	1
5	19255 INSTRUCTION, SPHERICAL	1
6	14935 LABEL, PROP 65	1



BG-1200 | Volume: 1200 Litres / 325 US Gals



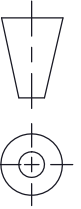
**PERCHERON
PLASTIC INC.**

Percheron Plastic Inc. | 789 O'Brien Drive, Peterborough, ON, K9J 6X7 Canada
 www.percheronplastic.com | T: 800.780.3609 | E: sales@percheronplastic.com

ADH 7/18/19 3817

BY / DATE CCN

THIRD ANGLE PROJECTION
ANSI 14.5M



PRINT LAYOUT UPDATED.

DESCRIPTION
 ALL DIMENSIONS ARE IN DECIMAL INCHES
 TOLERANCES UNLESS OTHERWISE SPECIFIED
 POLYETHYLENE
 METAL
 DECIMAL ± .125"
 FRACTION ± 1/4"
 ANGLE ± 1°

±1% @ 68° F