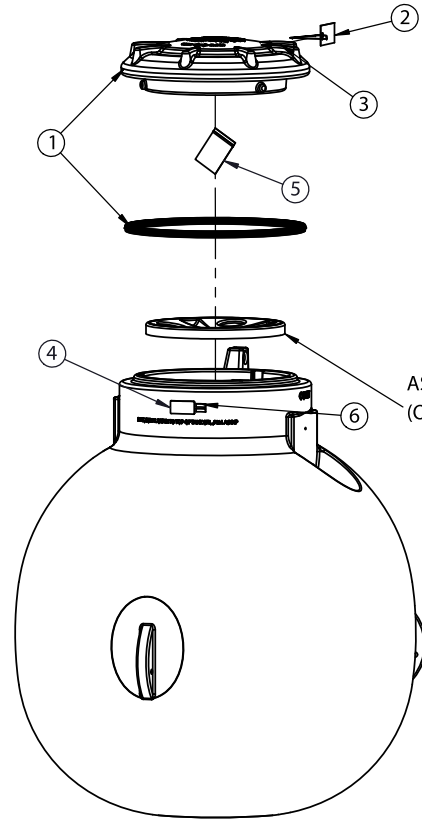
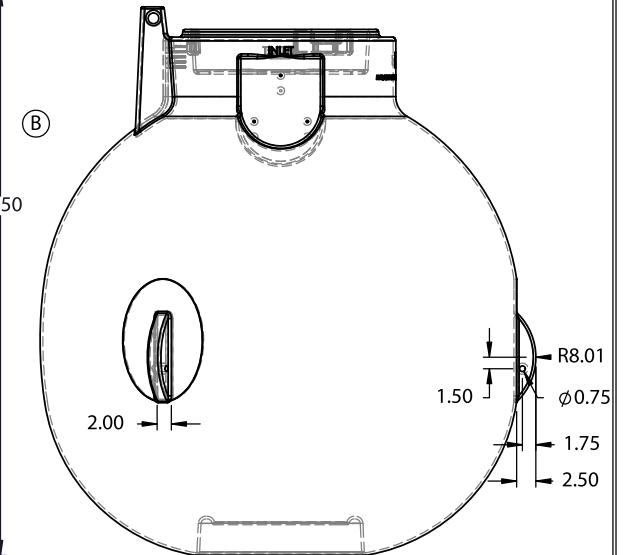
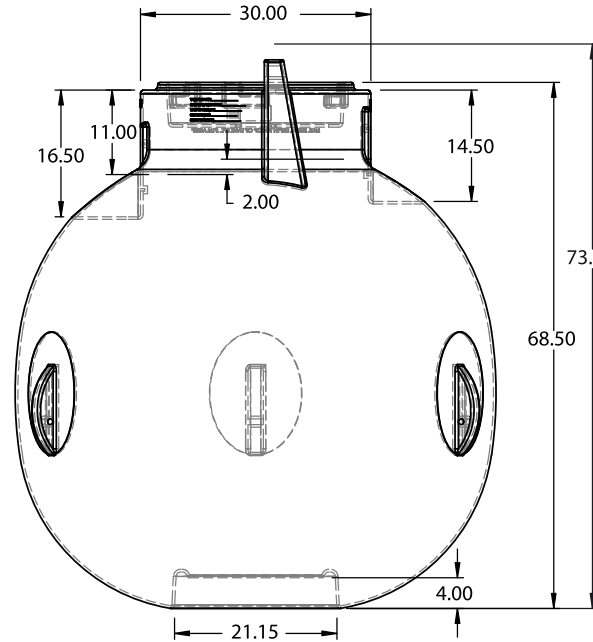
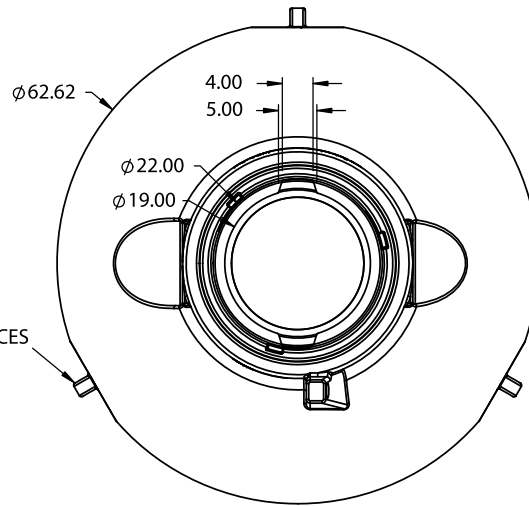


Copyright. All information furnished within this document, electronic file or design correspondence is the property of Den Hartog Industries, Inc. and shall not be used, disclosed to others or copied without the expressed written consent of Den Hartog Industries, Inc.



LIFTING LUGS 3 PLACES
120" O.C.

AST19544 RESTRICTOR
(OPTIONAL)



KEY	PART NUMBER	DESCRIPTION	QTY
1	AST19213	LID, 24" CISTERN WHT W/GASKET	1
2	11113	TAG, 6-1/4" X 3-1/8" TYVEK	1
3	19318	TIE STRAP, 14" NYLON BLACK	1
4	10357	LABEL, BARCODE 4" X 2"	1
5	19252	INSTRUCTION, SPHERICAL	1
6	14935	LABEL, PROP 65	1

C	PRINT LAYOUT UPDATED	ADH 7/18/19	3817	DRAWN / DATE	MATERIAL
B	ADD 10 LBS	DHJ 8/30/07		DHJ 9/19/06	
A	ADD 4 INCHES TO MOLD	DHJ 8/30/07		APPRD. / DATE	
REV	DESCRIPTION	BY / DATE	CCN	REH 7/25/07	POLYETHYLENE
ALL DIMENSIONS ARE IN DECIMAL INCHES TOLERANCES UNLESS OTHERWISE SPECIFIED		THIRD ANGLE PROJECTION ANSI 14.5M		SHOT WEIGHT: 180.00 LBS	
POLYETHYLENE		METAL DECIMAL ± .125" FRACTION ± 1/4" ANGLE ± 1°		SHIPPING WEIGHT: 197.00 LBS	
±1% @ 68° F				FINISH:	

BG-2000 | Volume: 2000 Litres / 525 US Gals



**PERCHERON
PLASTIC INC.**

Percheron Plastic Inc. | 789 O'Brien Drive, Peterborough, ON, K9J 6X7 Canada
www.percheronplastic.com | T: 800.780.3609 | E: sales@percheronplastic.com