

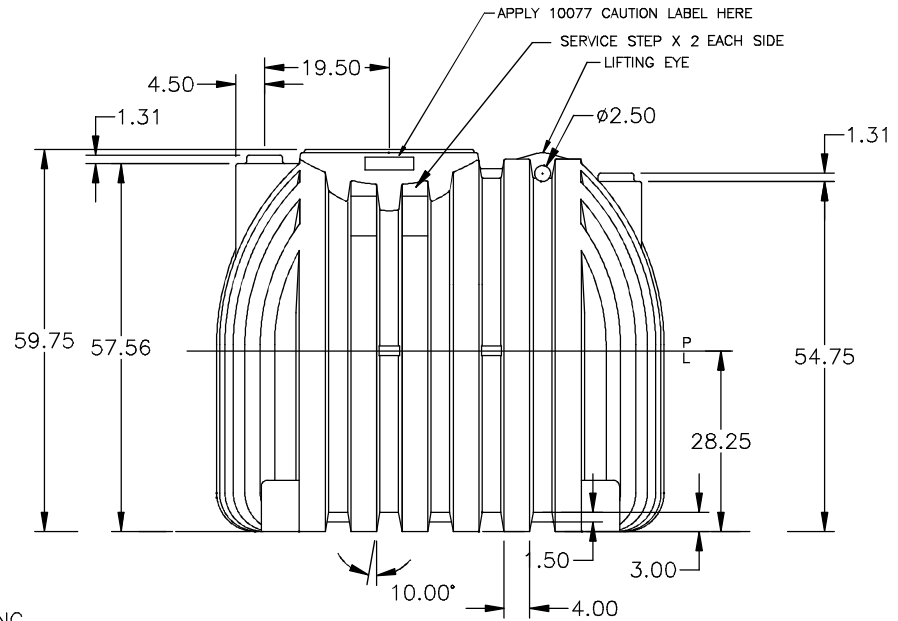
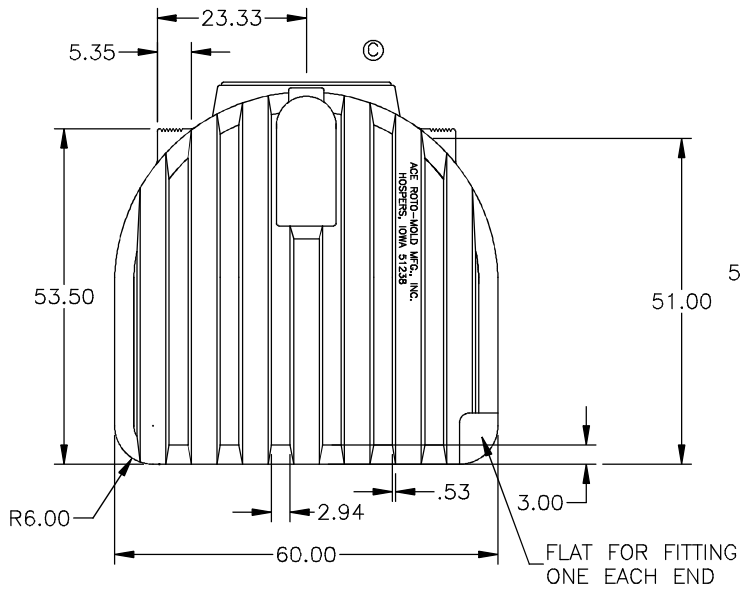
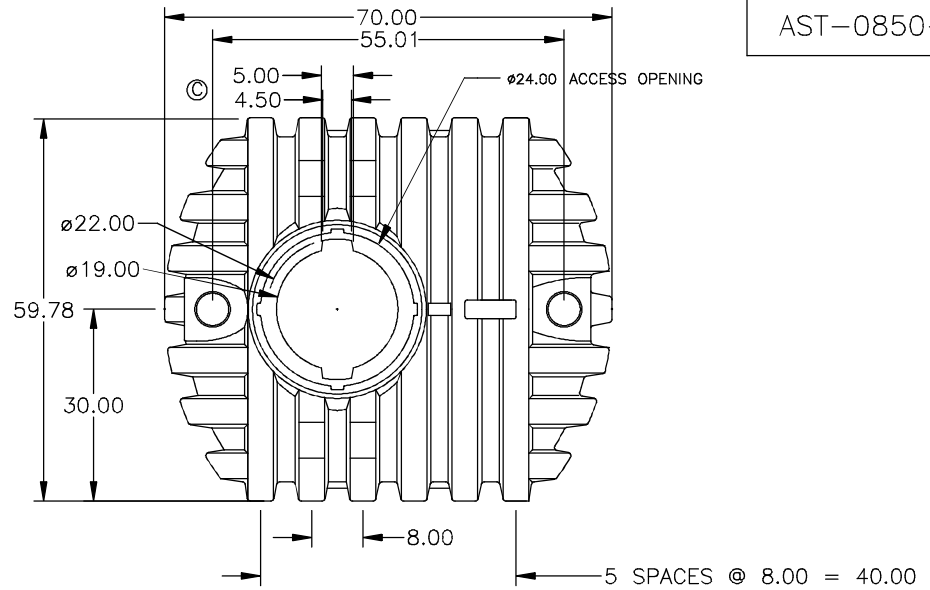
PROPRIETARY DATA

PROPERTY OF ACE ROTO-MOLD MFG., INC. INFORMATION FURNISHED HEREIN IS THE PROPERTY OF ACE ROTO-MOLD MFG., INC. AND SHALL NOT BE USED, DISCLOSED TO OTHERS, OR COPIED WITHOUT THE EXPRESSED WRITTEN CONSENT OF ACE ROTO-MOLD MFG., INC. ALL RIGHTS RESERVED.

AST-0850-1W

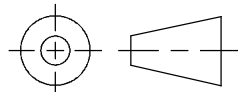


(A) REFERENCE PUBLICATION 10039 FOR SEPTIC TANKS OR PUBLICATION 10149 FOR CISTERN TANKS FOR SPECIFIC INSTALLATION GUIDELINES.



BG-3200 | Volume: 3200 Litres / 850 US Gals

| | | | | | |
|---|--|-------------|-------|--------------------------------------|---|
| C | RESTRICTOR FEATURES ADDED TO LID OPENING. CAPACITY NOTE REMOVED. | ADH 2/25/16 | 3205 | DRAWN / DATE | MATERIAL |
| B | ADDED FITTING FLATS | 3/13/06 | DHJ | NVE 6/23/05 | |
| A | ADDED PUBLICATION REF | 9/30/05 | NVE | APPRD. / DATE | MOBIL 111 HDPE OR EQUIVALENT REFERENCE MATERIAL DATA SHEET FOR SPECIFIC PROPERTIES. |
| REV | DESCRIPTION | DATE | APPRD | DHJ 9/21/05 | |
| ALL DIMENSIONS ARE IN DECIMAL INCHES TOLERANCES UNLESS OTHERWISE SPECIFIED ± 1% @ 68° F | | | | THIRD ANGLE PROJECTION ANSI 14.5M | NOTES: 1. NOM. WALL @ .250 2. WHITE COLOR 3. SHOT WEIGHT 245 LBS. |



**PERCHERON
PLASTIC INC.**

Percheron Plastic Inc. | 789 O'Brien Drive, Peterborough, ON, K9J 6X7 Canada
www.percheronplastic.com | T: 800.780.3609 | E: sales@percheronplastic.com