

ACT1000-LPG

CAUTION LABEL 19463

CAUTION

DO NOT OVER TIGHTEN BOLTS

SNUG UP ALL BOLTS THEN EVENLY TORQUE EACH BOLT TO 10 FT. LB.

FAILURE TO HEED MAY RESULT IN BOLT FAILURE AND TANK LEAKAGE

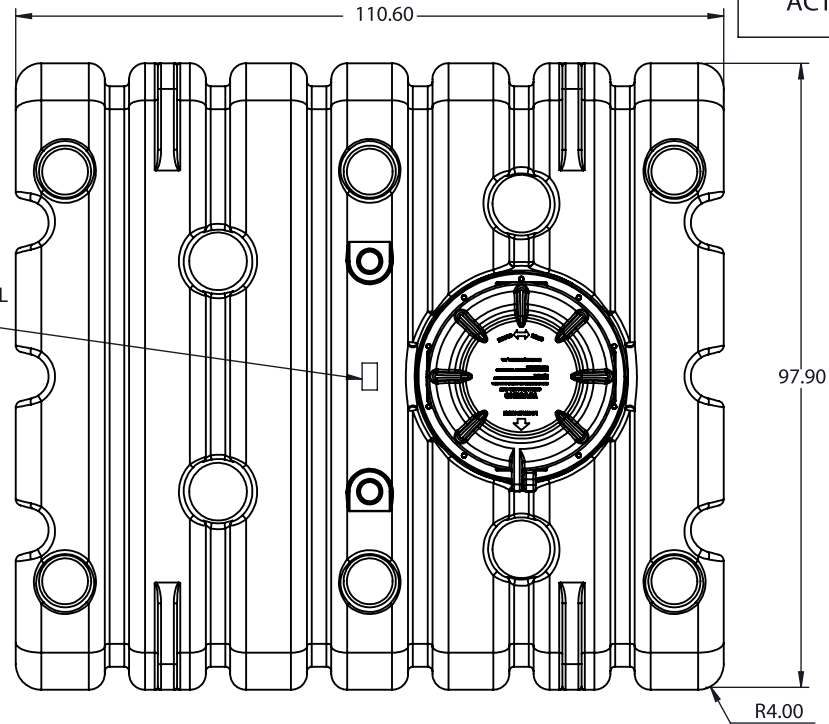
CAUTION LABEL 19471

CAUTION

28" MAXIMUM BURIAL DEPTH TO HERE

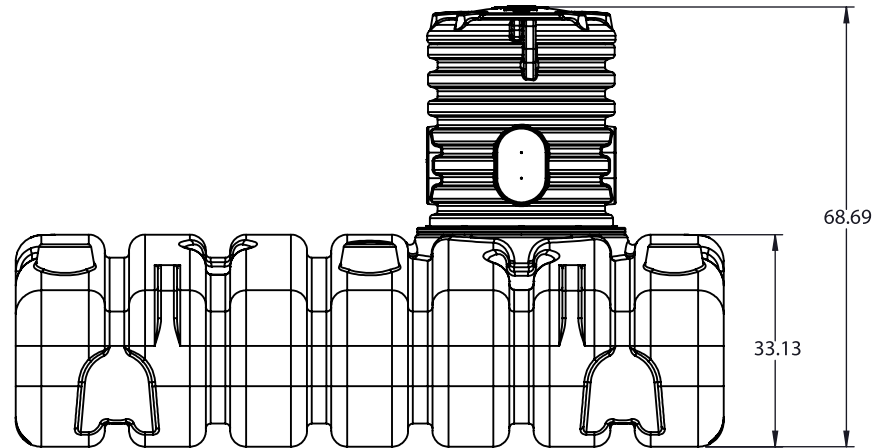
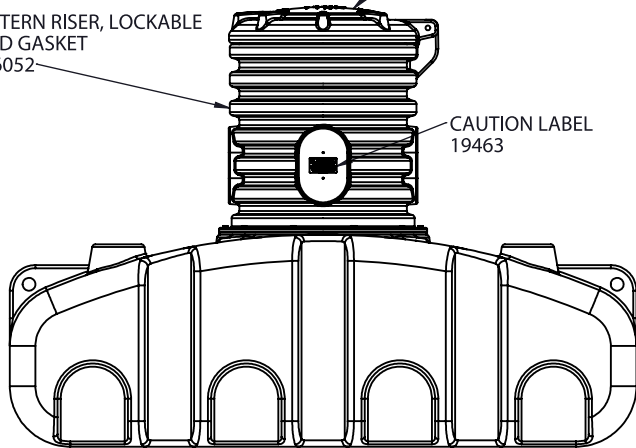
FAILURE TO HEED MAY RESULT IN TANK FAILURE

19471



SEE PRINT 19481 FOR LID INSTALLATION GUIDELINES

28" CISTERN RISER, LOCKABLE LID AND GASKET ACT-16052



				DRAWN / DATE ADH 4/8/10		MATERIAL	
				APPRD. / DATE REH 4/14/10			
REV	DESCRIPTION	BY / DATE	CCN	SHOT WEIGHT:		NOTES:	
	ALL DIMENSIONS ARE IN DECIMAL INCHES TOLERANCES UNLESS OTHERWISE SPECIFIED	THIRD ANGLE PROJECTION ANSI 14.5M		SHIPPING WEIGHT: 595.00 LBS			
	POLYETHYLENE	METAL DECIMAL ± .125" FRACTION ± 1/4" ANGLE ± 1°		FINISH:			
	± 1% @ 68° F						

BG-3800 | Volume: 3800 Litres / 1000 US Gals



PERCHERON PLASTIC INC.

Percheron Plastic Inc. | 789 O'Brien Drive, Peterborough, ON, K9J 6X7 Canada
www.percheronplastic.com | T: 800.780.3609 | E: sales@percheronplastic.com