

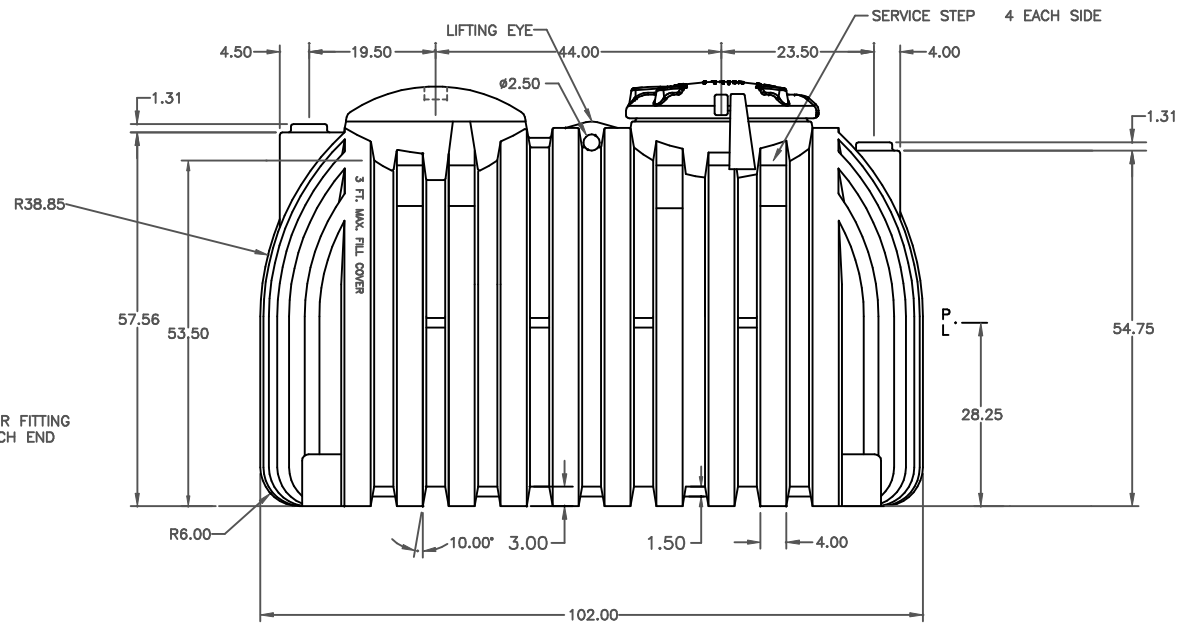
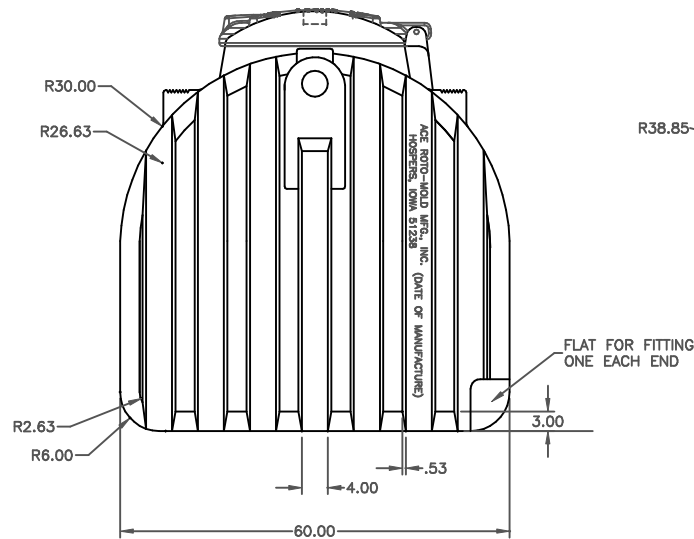
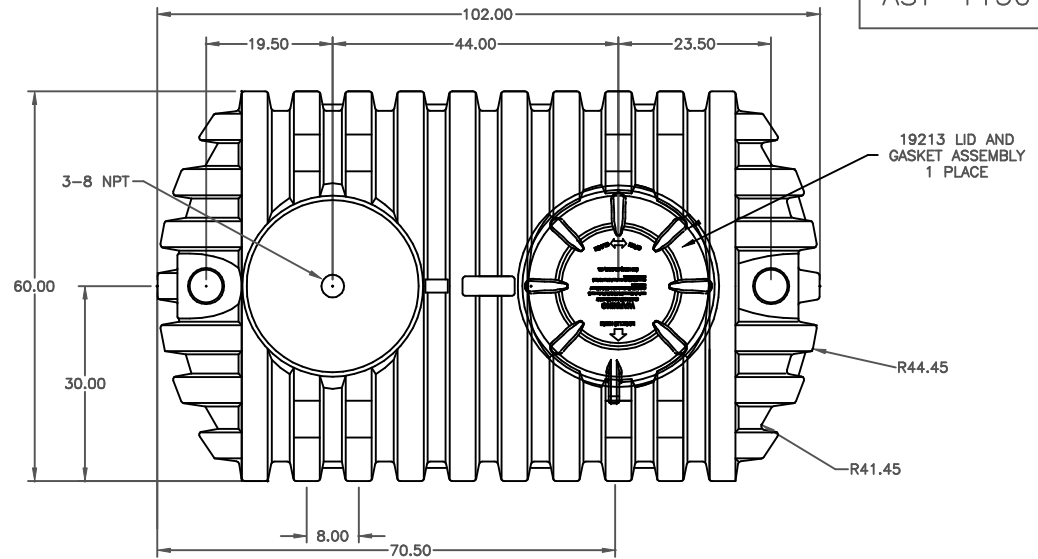
PROPRIETARY DATA

PROPERTY OF ACE ROTO-MOLD MFG., INC. INFORMATION FURNISHED HEREIN IS THE PROPERTY OF ACE ROTO-MOLD MFG., INC. AND SHALL NOT BE USED, DISCLOSED TO OTHERS, OR COPIED WITHOUT THE EXPRESSED WRITTEN CONSENT OF ACE ROTO-MOLD MFG., INC. ALL RIGHTS RESERVED.

AST-1150-1W

C

A REFERENCE PUBLICATION 10039 FOR SEPTIC TANKS OR PUBLICATION 10149 FOR CISTERN TANKS FOR SPECIFIC INSTALLATION GUIDELINES.



C	CHANGE TO ONE LID	1/26/06 DHJ	DRAWN / DATE	MATERIAL
B	CHANGE WEIGHT WAS 390	9/7/05 DHJ	DHJ / 6/10/04	EXON MOBIL 8661 HDPE REFERENCE MATERIAL DATA SHEET FOR SPECIFIC PROPERTIES.
A	ADDED PUBLICATION REF	9/30/05 NVE	APPRD. / DATE	
REV	DESCRIPTION	DATE	APPRD.	ADH / 11/6/07
ALL DIMENSIONS ARE IN DECIMAL INCHES TOLERANCES UNLESS OTHERWISE SPECIFIED ± .5% @ 68° F			THIRD ANGLE PROJECTION ANSI 14.5M	NOTES: 1. NOM. WALL @ .250 2. NATURAL COLOR 3. SHOT WEIGHT 414 LBS.

BG-4350 | Volume: 4350 Litres / 1150 US Gals



**PERCHERON  
PLASTIC INC.**

Percheron Plastic Inc. | 789 O'Brien Drive, Peterborough, ON, K9J 6X7 Canada  
www.percheronplastic.com | T: 800.780.3609 | E: sales@percheronplastic.com