

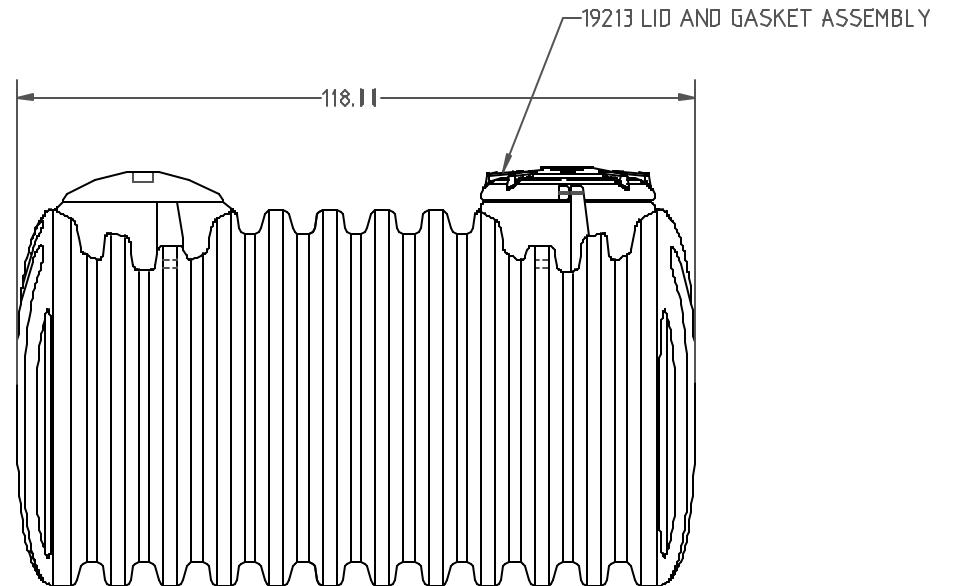
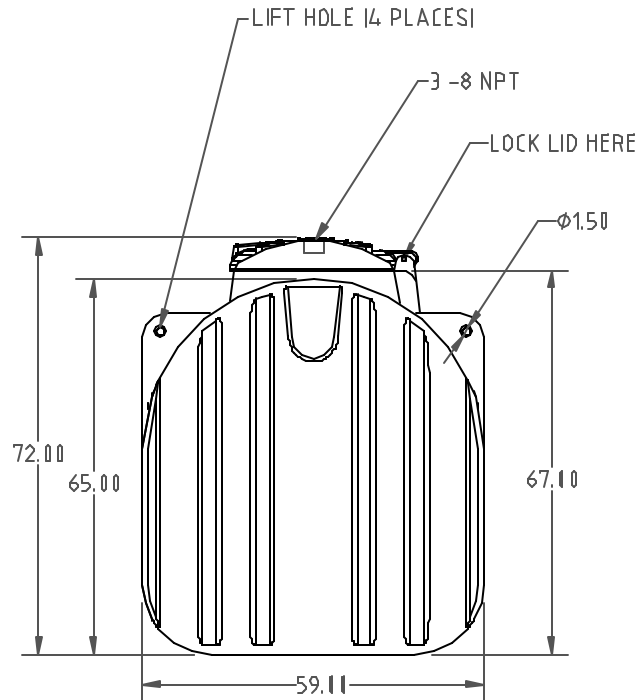
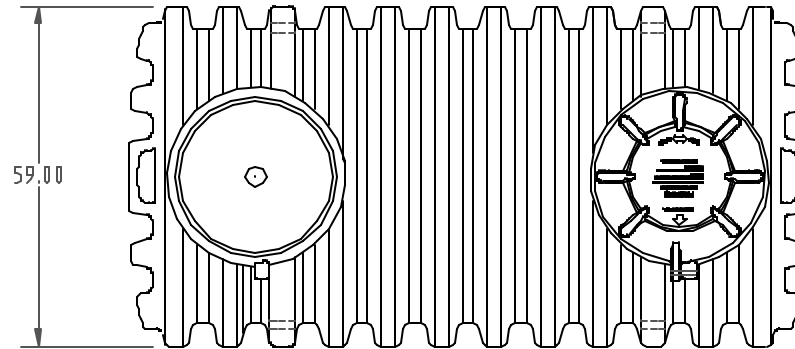
PROPRIETARY DATA

AST-1450-1W

C

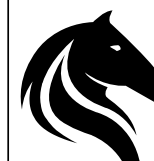
PROPERTY OF AGE ROTO-MOLD MFG., INC. INFORMATION FURNISHED HEREIN IS THE PROPERTY OF AGE ROTO-MOLD MFG., INC. AND SHALL NOT BE USED, DISCLOSED TO OTHERS, OR COPIED WITHOUT THE EXPRESSED WRITTEN CONSENT OF AGE ROTO-MOLD MFG., INC. ALL RIGHTS RESERVED.

A REFERENCE PUBLICATION 10039 FOR SEPTIC TANKS OR PUBLICATION 10149 FOR CISTERN TANKS FOR SPECIFIC INSTALLATION GUIDELINES.



REV	DESCRIPTION	DATE	APPROD	APPROD	DRAWN / DATE	MATERIAL	
C	CHANGE TO ONE LID	3/17/16	DHJ		REH / 3/15/14	EXXON HD8661 HOPE OR EQUIVALENT REFERENCE MATERIAL DATA SHEET FOR SPECIFIC PROPERTIES.	
B	CHANGE WEIGHT WAS 4.12	3/17/16	DHJ		REH / 3/15/14		
A	ADDED PUBLICATION REF	9/31/15	NVE		REH / 3/15/14		
						NOTES:	
ALL DIMENSIONS ARE IN DECIMAL INCHES TOLERANCES UNLESS OTHERWISE SPECIFIED ± 1% @ 68° F						THIRD ANGLE PROJECTION ANSI 1:5:14 	1. MIN. WALL @ .251 2. NATURAL COLOR 3. SHOT WEIGHT 4.73 LBS.

BG-5500 | Volume: 5500 Litres / 1450 US Gals



**PERCHERON  
PLASTIC INC.**

Percheron Plastic Inc. | 789 O'Brien Drive, Peterborough, ON, K9J 6X7 Canada  
[www.percheronplastic.com](http://www.percheronplastic.com) | T: 800.780.3609 | E: sales@percheronplastic.com