

ACT1500-LPG

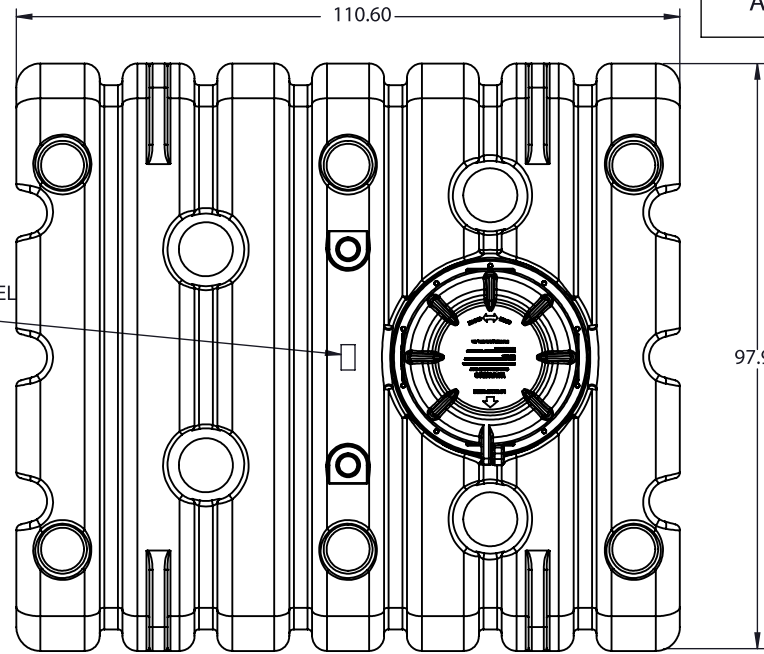
CAUTION LABEL 19463

**CAUTION**  
**DO NOT OVER TIGHTEN BOLTS**  
**SNUG UP ALL BOLTS THEN EVENLY TORQUE EACH BOLT TO 10 FT. LB.**  
**FAILURE TO HEED MAY RESULT IN BOLT FAILURE AND TANK LEAKAGE**

CAUTION LABEL 19471

**CAUTION**  
**28" MAXIMUM BURIAL DEPTH TO HERE**  
**FAILURE TO HEED MAY RESULT IN TANK FAILURE**

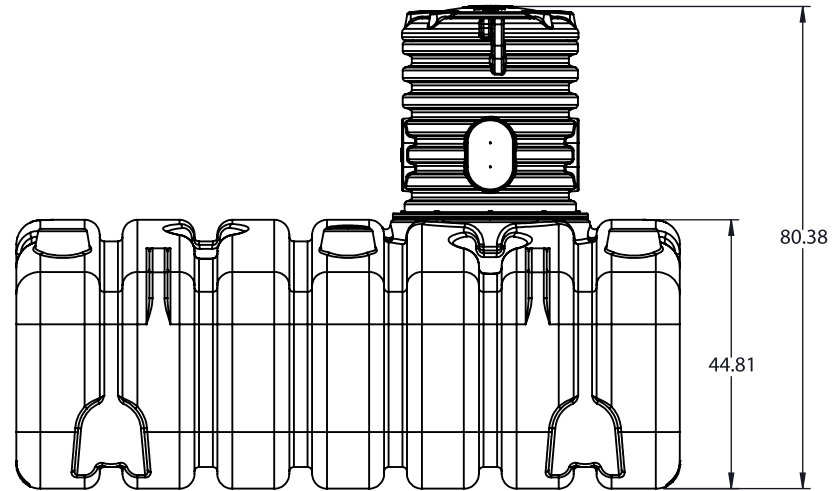
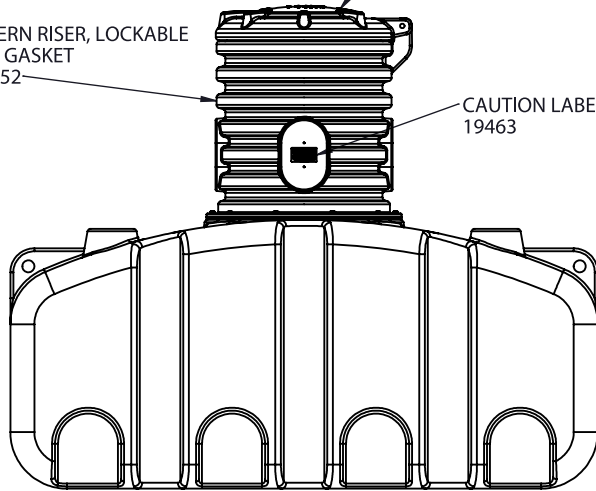
CAUTION LABEL 19471



SEE PRINT 19481 FOR LID INSTALLATION GUIDELINES

28" CISTERN RISER, LOCKABLE LID AND GASKET ACT-16052

CAUTION LABEL 19463



				DRAWN / DATE ADH 4/8/10	MATERIAL
				APPRD. / DATE REH 4/14/10	
REV	DESCRIPTION	BY / DATE	CCN	SHOT WEIGHT:	NOTES:
	ALL DIMENSIONS ARE IN DECIMAL INCHES TOLERANCES UNLESS OTHERWISE SPECIFIED			SHIPPING WEIGHT: 738.00 LBS	
	POLYETHYLENE			FINISH:	
	METAL DECIMAL ± .125" FRACTION ± 1/4" ANGLE ± 1°				
	± 1% @ 68° F				
		THIRD ANGLE PROJECTION ANSI 14.5M			

BG-5600 | Volume: 5600 Litres / 1500 US Gals



**PERCHERON  
 PLASTIC INC.**

Percheron Plastic Inc. | 789 O'Brien Drive, Peterborough, ON, K9J 6X7 Canada  
 www.percheronplastic.com | T: 800.780.3609 | E: sales@percheronplastic.com