

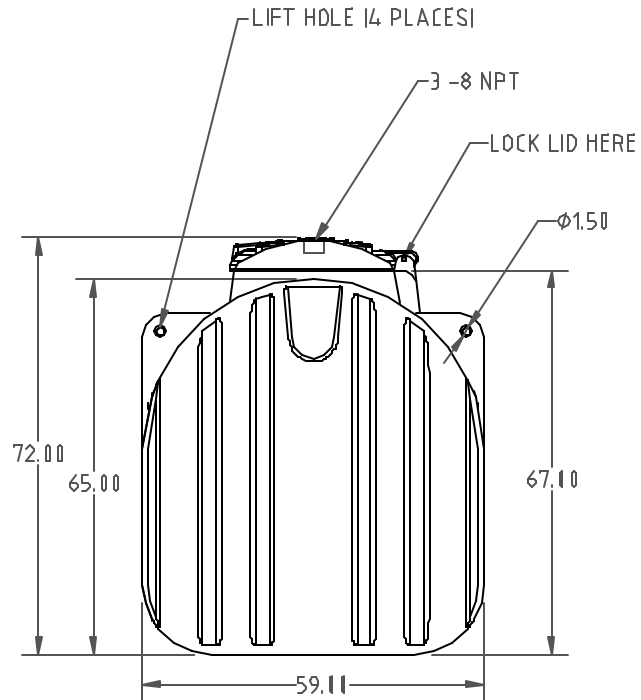
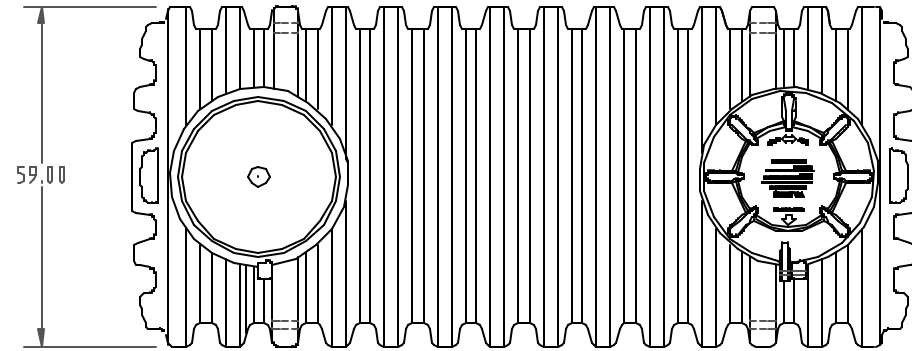
PROPRIETARY DATA

AST-1700-1W

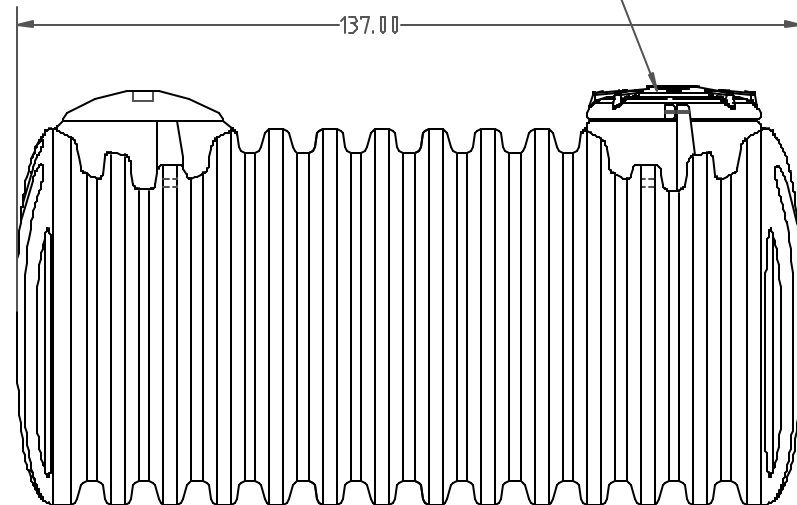
C

PROPERTY OF AGE ROTO-MOLD MFG., INC. INFORMATION FURNISHED HEREIN IS THE PROPERTY OF AGE ROTO-MOLD MFG., INC. AND SHALL NOT BE USED, DISCLOSED TO OTHERS, OR COPIED WITHOUT THE EXPRESSED WRITTEN CONSENT OF AGE ROTO-MOLD MFG., INC. ALL RIGHTS RESERVED.

A REFERENCE PUBLICATION 10039 FOR SEPTIC TANKS OR PUBLICATION 10149 FOR CISTERN TANKS FOR SPECIFIC INSTALLATION GUIDELINES.

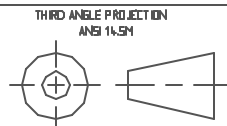


19213 LID AND GASKET ASSEMBLY



C	CHANGE TO ONE LID	3/17/16	DHJ	DRAWN / DATE	MATERIAL EXXON HD8661 HDPE OR EQUIVALENT REFERENCE MATERIAL DATA SHEET FOR SPECIFIC PROPERTIES.
B	CHANGE WEIGHT WAS 528	3/17/16	DHJ	REH / 3/15/14	
A	ADDED PUBLICATION REF	9/31/15	NVE	APPRD. / DATE REH / 3/15/14	
REV	DESCRIPTION	DATE	APPRD.		

ALL DIMENSIONS ARE IN DECIMAL INCHES
TOLERANCES UNLESS OTHERWISE SPECIFIED
 $\pm 1\% @ 68^\circ F$



NOTES:
1. MIN. WALL @ .251
2. NATURAL COLOR
3. SHGT WEIGHT 553 LBS.

BG-6400 | Volume: 6400 Litres / 1700 US Gals



**PERCHERON
PLASTIC INC.**

Percheron Plastic Inc. | 789 O'Brien Drive, Peterborough, ON, K9J 6X7 Canada
www.percheronplastic.com | T: 800.780.3609 | E: sales@percheronplastic.com