

© DEN HARTOG INDUSTRIES, INC.

Copyright. All information furnished within this document, electronic file or design correspondence is the property of Den Hartog Industries, Inc. and shall not be used, disclosed to others or copied without the expressed written consent of Den Hartog Industries, Inc.

CAUTION LABEL 19463

CAUTION

DO NOT OVER TIGHTEN BOLTS

SNUG UP ALL BOLTS THEN EVENLY TORQUE EACH BOLT TO 10 FT. LB.

FAILURE TO HEED MAY RESULT IN BOLT FAILURE AND TANK LEAKAGE

CAUTION LABEL 19471

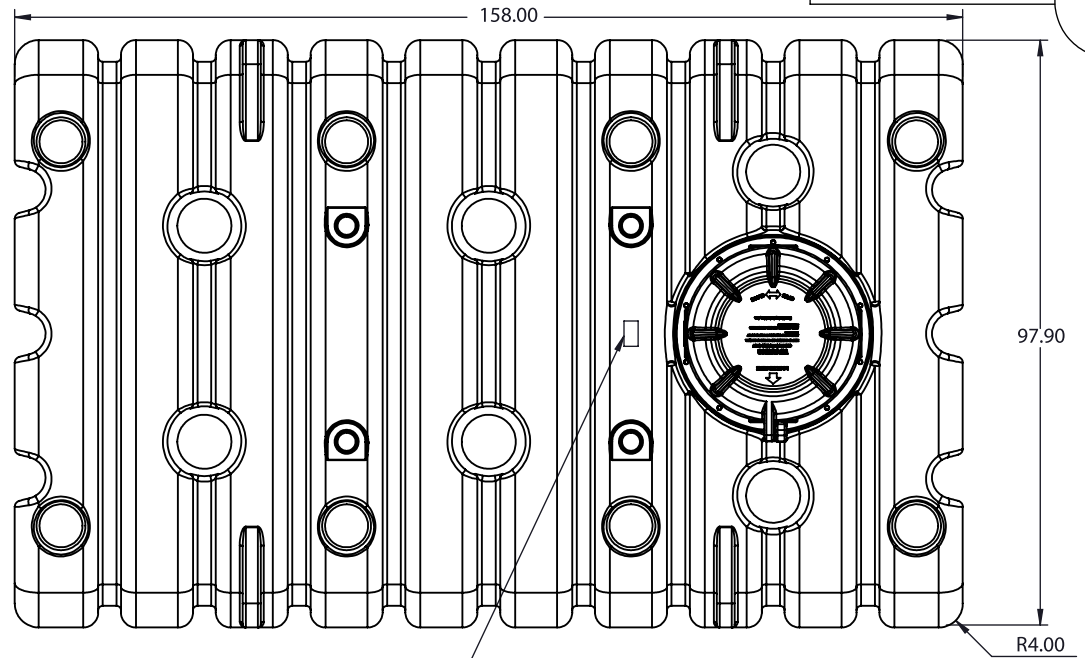
CAUTION

28" MAXIMUM BURIAL DEPTH TO HERE

FAILURE TO HEED MAY RESULT IN TANK FAILURE

19471

ACT2000-LPG

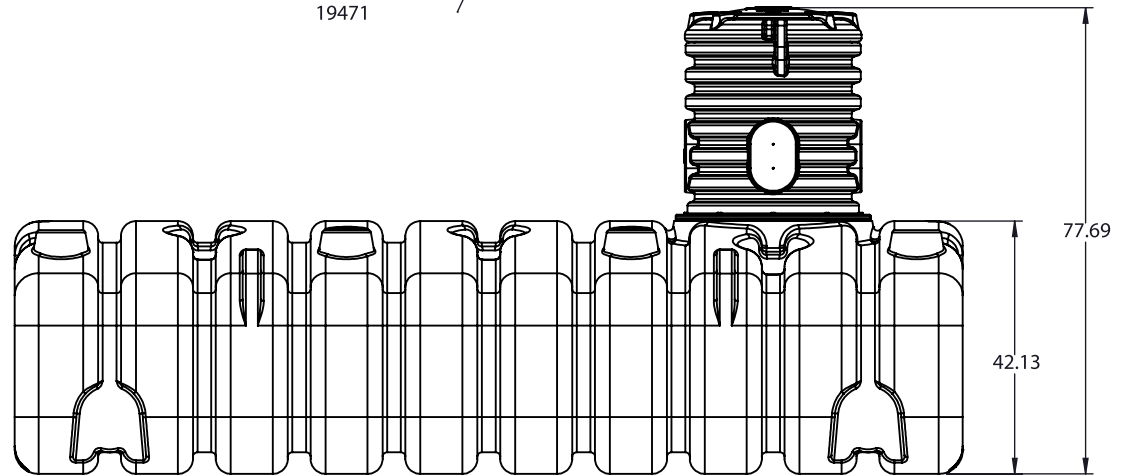
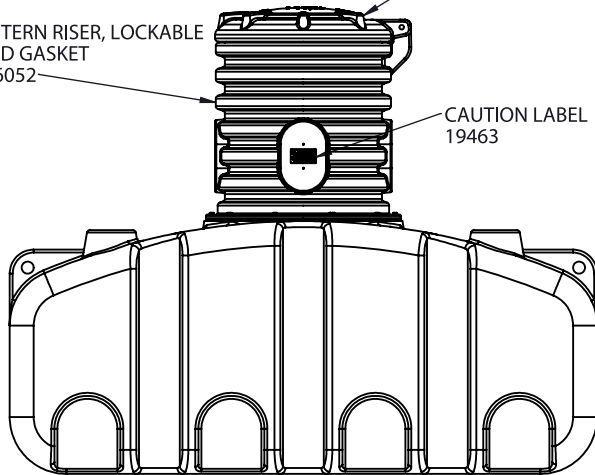


CAUTION LABEL 19471

SEE PRINT 19481 FOR LID INSTALLATION GUIDELINES

28" CISTERN RISER, LOCKABLE LID AND GASKET ACT-16052

CAUTION LABEL 19463



				DRAWN / DATE ADH 4/8/10	MATERIAL
				APPRD. / DATE REH 4/14/10	
REV	DESCRIPTION	BY / DATE	CCN	SHOT WEIGHT:	NOTES:
	ALL DIMENSIONS ARE IN DECIMAL INCHES TOLERANCES UNLESS OTHERWISE SPECIFIED			SHIPPING WEIGHT: 953.00 LBS	
	POLYETHYLENE			FINISH:	
	METAL DECIMAL ± .125" FRACTION ± 1/4" ANGLE ± 1°				
	± 1% @ 68° F				
		THIRD ANGLE PROJECTION ANSI 14.5M			

BG-7550 | Volume: 7550 Litres / 2000 US Gals



PERCHERON PLASTIC INC.

Percheron Plastic Inc. | 789 O'Brien Drive, Peterborough, ON, K9J 6X7 Canada
www.percheronplastic.com | T: 800.780.3609 | E: sales@percheronplastic.com