

ACT2500-LPG

CAUTION LABEL 19463

**CAUTION**

**DO NOT OVER TIGHTEN BOLTS**

**SNUG UP ALL BOLTS THEN EVENLY TORQUE EACH BOLT TO 10 FT. LB.**  
 FAILURE TO HEED MAY RESULT IN BOLT FAILURE AND TANK LEAKAGE

CAUTION LABEL 19471

**CAUTION**

**28" MAXIMUM BURIAL DEPTH TO HERE**

FAILURE TO HEED MAY RESULT IN TANK FAILURE

19471

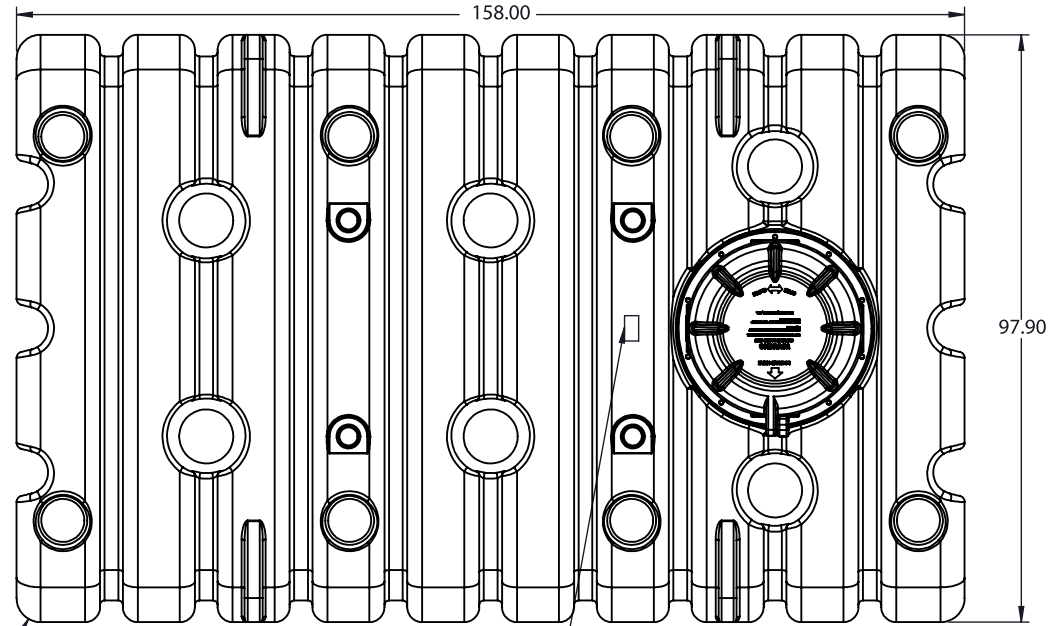
SEE PRINT 19481 FOR LID INSTALLATION GUIDELINES

R4.00

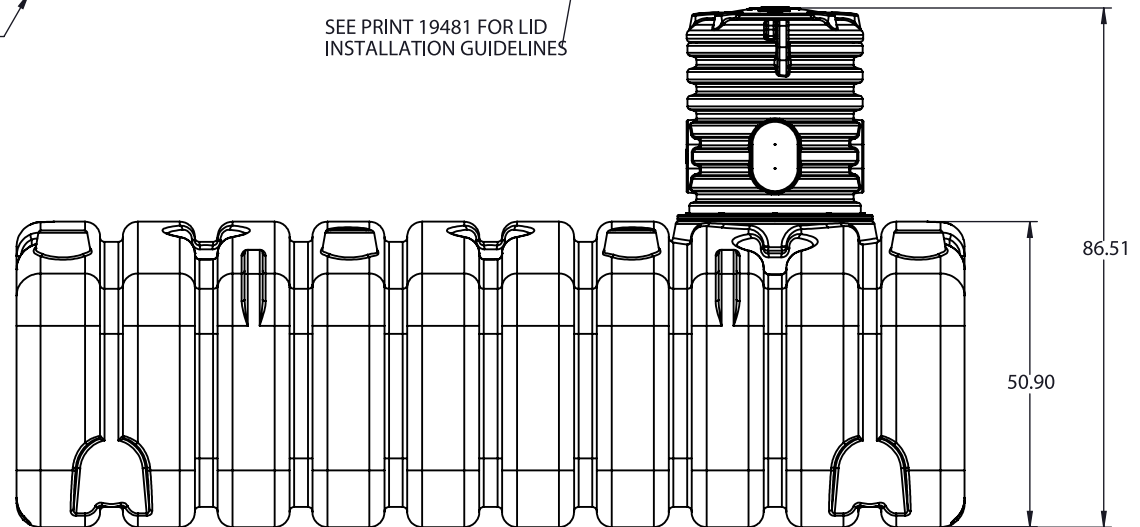
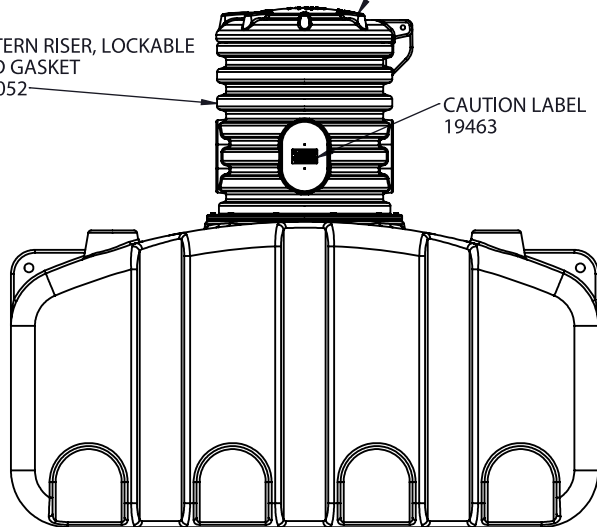
SEE PRINT 19481 FOR LID INSTALLATION GUIDELINES

28" CISTERN RISER, LOCKABLE LID AND GASKET ACT-16052

CAUTION LABEL 19463



97.90



86.51

50.90

				DRAWN / DATE ADH 4/8/10	MATERIAL
				APPRD. / DATE REH 4/14/10	
REV	DESCRIPTION	BY / DATE	CCN	SHOT WEIGHT:	NOTES:
	ALL DIMENSIONS ARE IN DECIMAL INCHES TOLERANCES UNLESS OTHERWISE SPECIFIED			SHIPPING WEIGHT: 1067.00 LBS	
	POLYETHYLENE			FINISH:	
	METAL DECIMAL ± .125" FRACTION ± 1/4" ANGLE ± 1°				
	± 1% @ 68° F				
		THIRD ANGLE PROJECTION ANSI 14.5M			

**BG-9450 | Volume: 9450 Litres / 2500 US Gals**



**PERCHERON  
PLASTIC INC.**

Percheron Plastic Inc. | 789 O'Brien Drive, Peterborough, ON, K9J 6X7 Canada  
 www.percheronplastic.com | T: 800.780.3609 | E: sales@percheronplastic.com