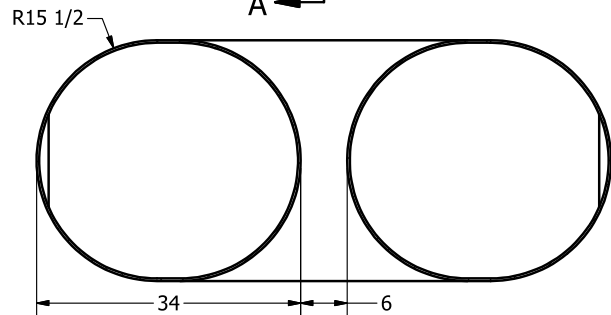


SECTION A-A
SCALE 1/16



SECTION B-B
SCALE 1/16

F-1900 | Volume: 1900 Litres / 500 US Gals



**PERCHERON
PLASTIC INC.**

Percheron Plastic Inc. | 789 O'Brien Drive, Peterborough, ON, K9J 6X7 Canada
www.percheronplastic.com | T: 800.780.3609 | E: sales@percheronplastic.com