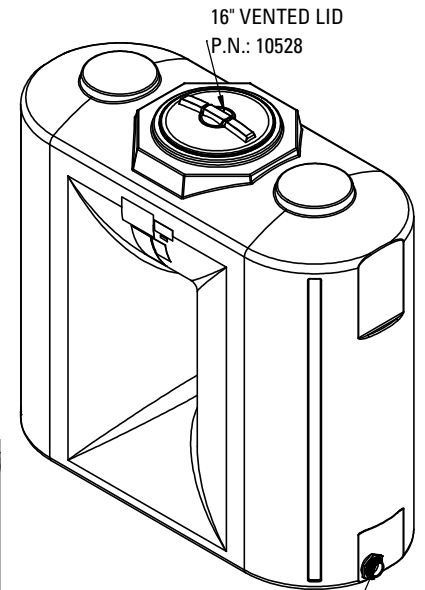


SECTION A-A
SCALE 1 : 30



2" FPT FITTING
 IS STANDARD.
 P.N.: 10508
 (OFFSET FROM P/L)

F-1901 | Volume: 1900 Litres / 500 US Gals



**PERCHERON
PLASTIC INC.**

Percheron Plastic Inc. | 789 O'Brien Drive, Peterborough, ON, K9J 6X7 Canada
www.percheronplastic.com | T: 800.780.3609 | E: sales@percheronplastic.com