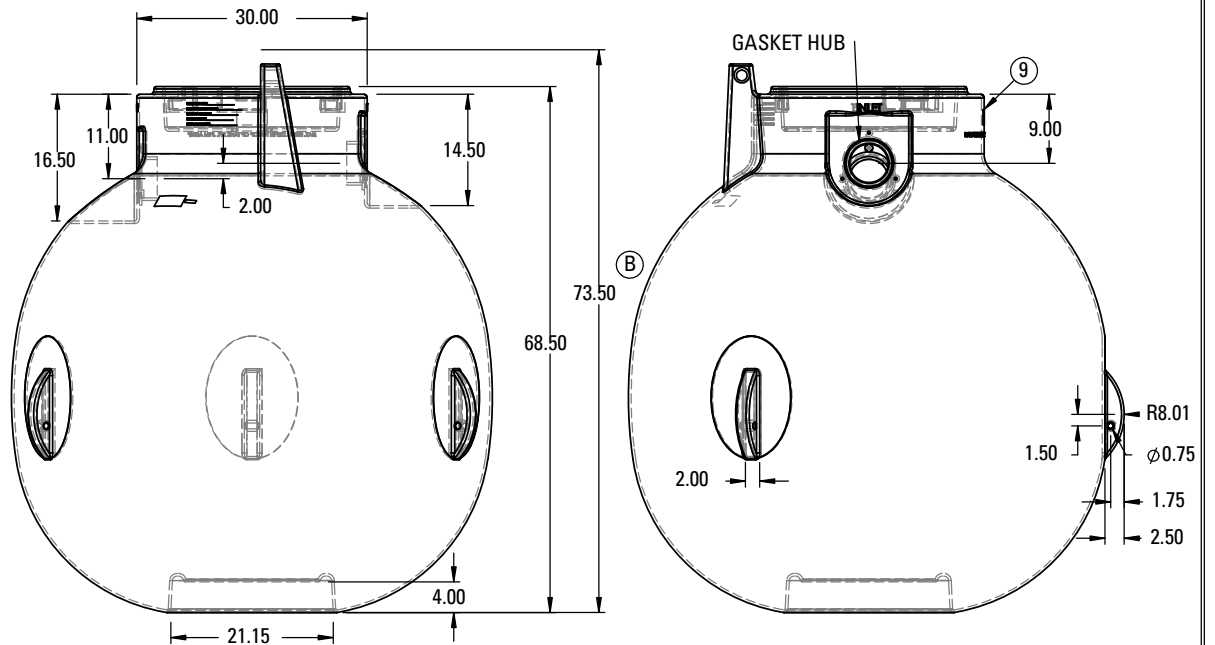
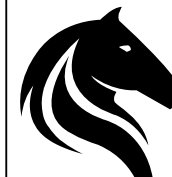


KEY	PART NUMBER	DESCRIPTION	QTY
1	AST19211	LID, 24" SEPTIC BLACK W/GASKET	1
2	AST19153	CLAMP, STABILIZER	2
3	11113	TAG, 6-1/4" X 3-1/8" TYVEK	1
4	10626	WASHER, 1/4" FLAT ZINC	6
5	10087	BOLT, 1/4" X 3/4" HEX GR5 ZINC	6
6	10083	INSERT, 1/4"-20X7/16" T-NUT	6
7	19318	TIE STRAP, 14" NYLON BLACK	1
8	10357	LABEL, BARCODE 4" X 2"	1
9	10208	LABEL, NOT FOR POTABLE WATER	1
10	19255	INSTRUCTION, SPHERICAL	1
11	14935	LABEL, PROP 65	1



**S-1900 | Volume: 1900 Litres / 500 US Gals**



**PERCHERON  
PLASTIC INC.**

Percheron Plastic Inc. | 789 O'Brien Drive, Peterborough, ON, K9J 6X7 Canada  
[www.percheronplastic.com](http://www.percheronplastic.com) | T: 800.780.3609 | E: sales@percheronplastic.com