

PROPRIETARY DATA

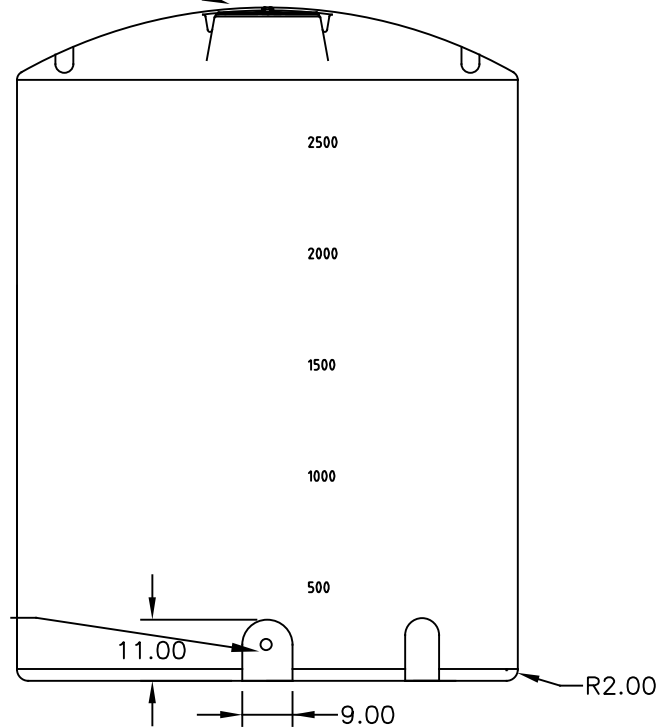
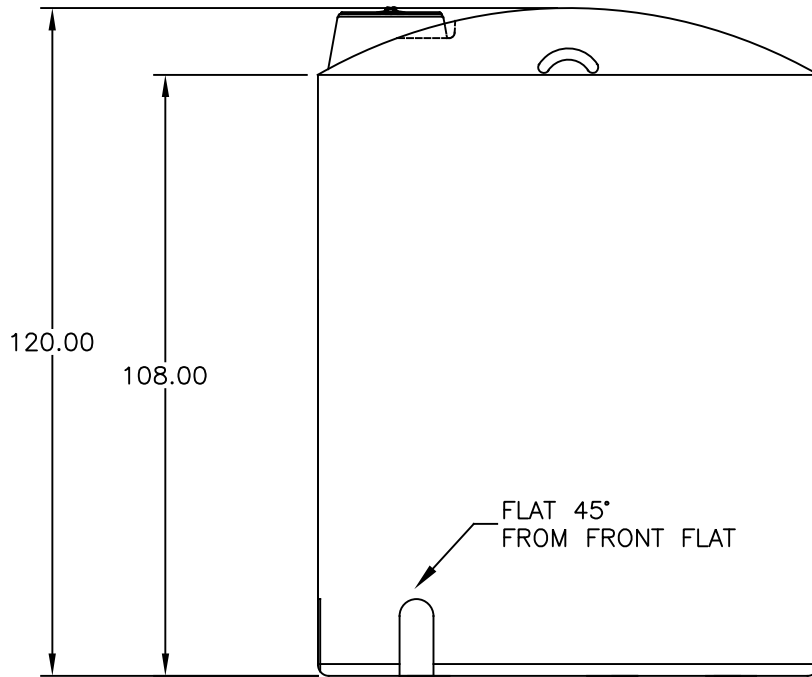
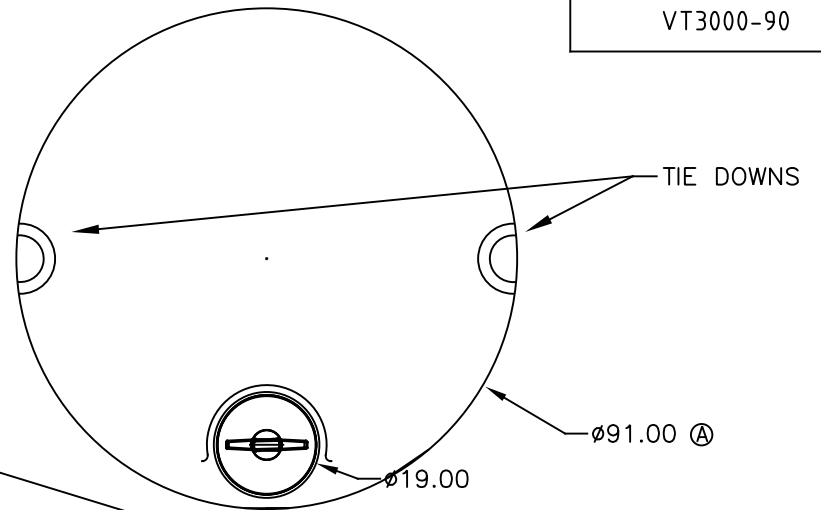
VT3000-90

A

PROPERTY OF ACE ROTO-MOLD MFG., INC. INFORMATION FURNISHED HEREIN IS THE PROPERTY OF ACE ROTO-MOLD MFG., INC. AND SHALL NOT BE USED, DISCLOSED TO OTHERS, OR COPIED WITHOUT THE EXPRESSED WRITTEN CONSENT OF ACE ROTO-MOLD MFG., INC. ALL RIGHTS RESERVED.

FEATURES

1. HEAVY DUTY POLYETHYLENE CONSTRUCTION
2. 1 PIECE ROTATIONALLY MOLDED
3. TRANSLUCENT
4. FDA APPROVED RESIN
5. CALIBRATED IN GALLONS
6. THREE YEAR WARRANTY
7. UV STABILIZED
8. SPECIFIC GRAVITY RATING IS 1.70



DRAWN / DATE

NVE 6/10/05

MATERIAL

PE OR EQUIVALENT  
REFERENCE MATERIAL DATA SHEET  
FOR SPECIFIC PROPERTIES.

APPRD. / DATE

DHJ 6/21/05

V-11306 | Volume: 11300 Litres / 3000 US Gals



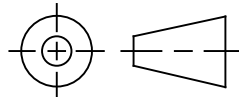
**PERCHERON  
PLASTIC INC.**

Percheron Plastic Inc. | 789 O'Brien Drive, Peterborough, ON, K9J 6X7 Canada  
www.percheronplastic.com | T: 800.780.3609 | E: sales@percheronplastic.com

ALL DIMENSIONS ARE IN DECIMAL INCHES  
TOLERANCES UNLESS OTHERWISE SPECIFIED

± 1% @ 68° F

THIRD ANGLE PROJECTION  
ANSI 14.5M



NOTES:

1. .490 THICK AT FITTING
2. BLUE, GREEN, YELLOW,  
BLACK, OR WHITE COLOR
3. SHOT WEIGHT 550 LBS.