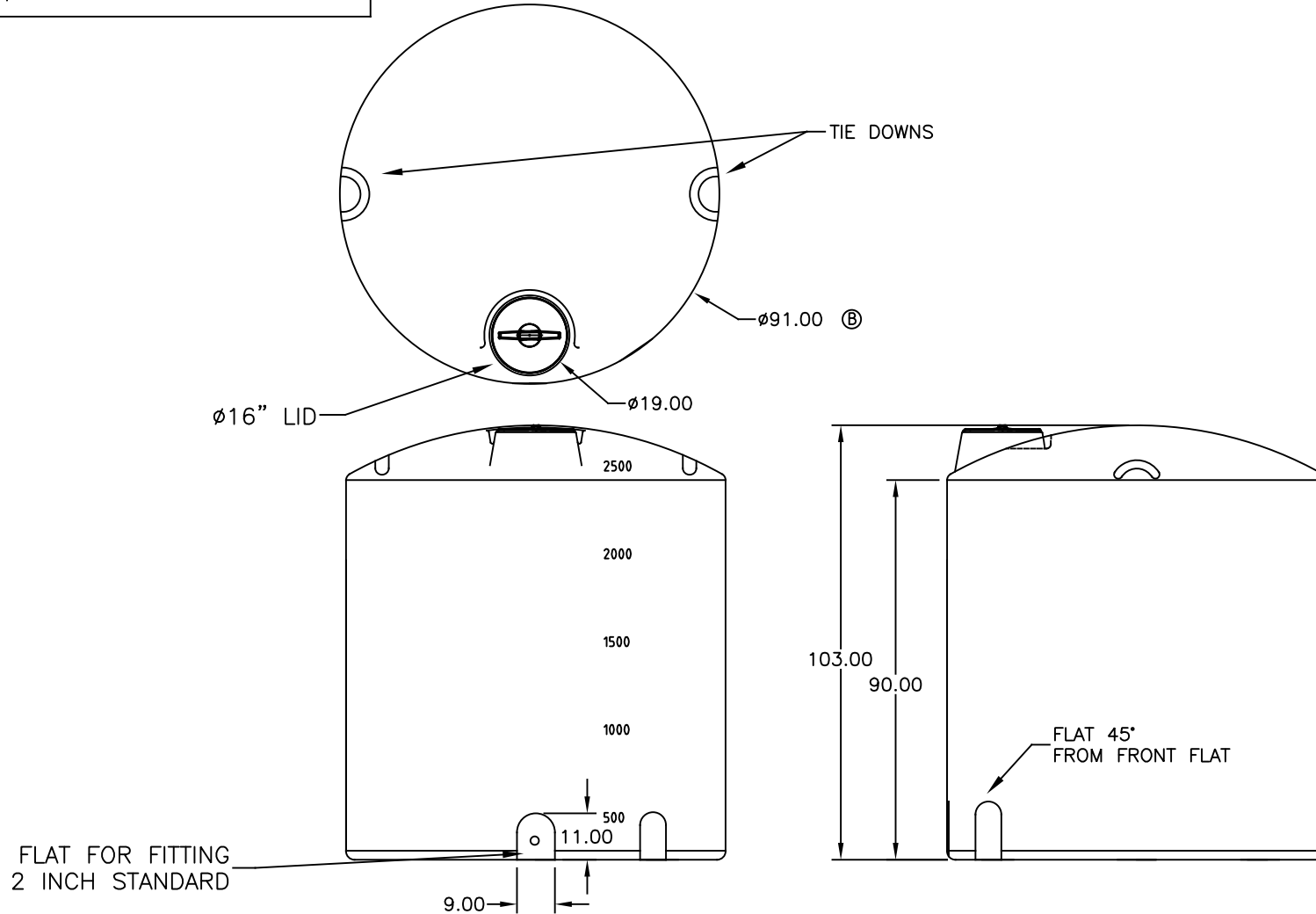


PROPRIETARY DATA

PROPERTY OF ACE ROTO-MOLD MFG., INC. INFORMATION FURNISHED HEREIN IS THE PROPERTY OF ACE ROTO-MOLD MFG., INC. AND SHALL NOT BE USED, DISCLOSED TO OTHERS, OR COPIED WITHOUT THE EXPRESSED WRITTEN CONSENT OF ACE ROTO-MOLD MFG., INC. ALL RIGHTS RESERVED.

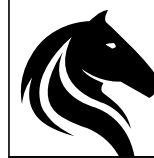
VT2500-90

B



					DRAWN / DATE NVE 6/10/05	MATERIAL
B	WAS 90	5/11/17	DHJ			HDPE OR EQUIVALENT REFERENCE MATERIAL DATA SHEET FOR SPECIFIC PROPERTIES.
A	ADD MINIMUM WALL THICKNESS	10/15/07	DHJ	CCN14.85	APPRD. / DATE DHJ 6/21/05	
REV	DESCRIPTION	DATE	APPRD	CCN		
ALL DIMENSIONS ARE IN DECIMAL INCHES TOLERANCES UNLESS OTHERWISE SPECIFIED $\pm$ 1% @ 68° F					THIRD ANGLE PROJECTION ANSI 14.5M 	NOTES: 1. .43 MINIMUM THICK AT FITTING 2. BLACK, GREEN, WHITE, OR YELLOW COLOR 3. SHOT WEIGHT 420 LBS.

V-9500 | Volume: 9500 Litres / 2500 US Gals



**PERCHERON  
PLASTIC INC.**

Percheron Plastic Inc. | 789 O'Brien Drive, Peterborough, ON, K9J 6X7 Canada  
 www.percheronplastic.com | T: 800.780.3609 | E: sales@percheronplastic.com